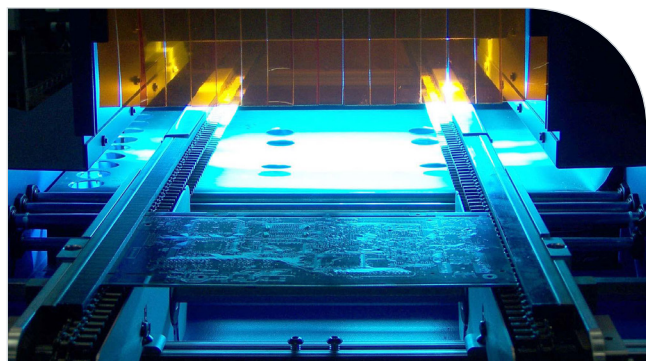


Edge-Carry UV Light-Curing Conveyor System

- Complete UV shielding
- Built-in variable speed exhaust fan and stack
- Controlled and consistent cure times
- Can be outfitted with either Dymax EC series or Fusion lamps
- Adjustable width to 18"
- Accurate digital speed control with readout
- Adjustable lamp-to-part distance

The Dymax Edge-Carry Series of conveyors is designed for efficient curing of UV and/or visible light-sensitive adhesives, inks, and coatings. These conveyors can be outfitted with a variety of lamp configurations to address a variety of application specific requirements. They offer complete shielding from UV light and consistent cure times. Configuration options allow flexibility when defining intensity requirements to keep operating costs to a minimum. Standard height clearance is 0.75", which is ideal for low profile parts such as PCBs, and up to 6 inches across a 13.75" width, which can be increased to either 8" or 12" with optional risers installed.



Choosing the Right Lamp(s) for Your Edge-Carry Conveyor

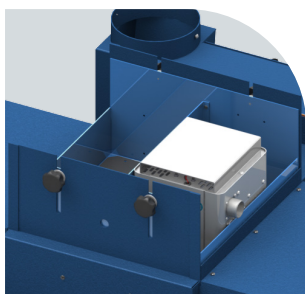
Edge-Carry series conveyors can be outfitted with Dymax 5000-EC, 2000-EC, and 1200-EC lamps, or Fusion F300 lamps.

5000-EC Lamps

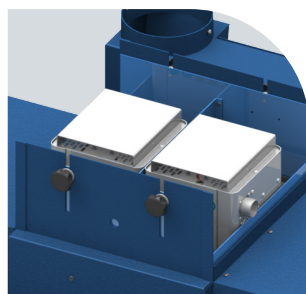
These lamps provide moderate intensity ($\sim 200 \text{ mW/cm}^2$) over a 6" x 6" (approximate) curing area. Their 400-Watt auto-switching power supplies accept 90 to 264 Volts AC and 47 to 63 Hz. With normal use, 5000-EC bulbs will retain 90% of their original intensity after 1,000 hours.

5000-EC lamps are recommended for small-to- medium throughput bonding applications. For faster or more tack-free cures, Fusion F300 lamps are recommended.

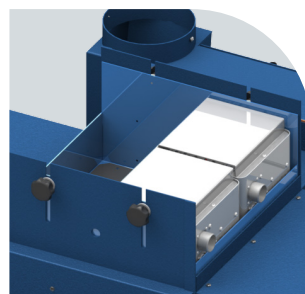
Dymax Edge-Carry series conveyors can be outfitted with one, two, or four 5000-EC lamps as shown below.



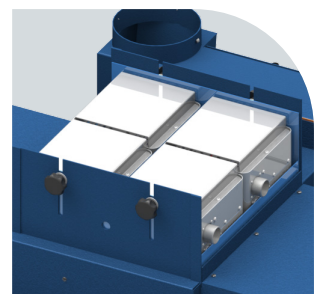
One 5000-EC lamp
center mounted
6" wide single exposure



Two 5000-EC lamps
center mounted
6" wide double exposure



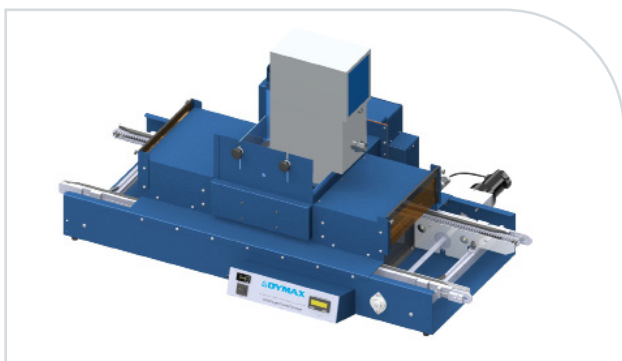
Two 5000-EC lamps
full-width mounted
12" wide single exposure



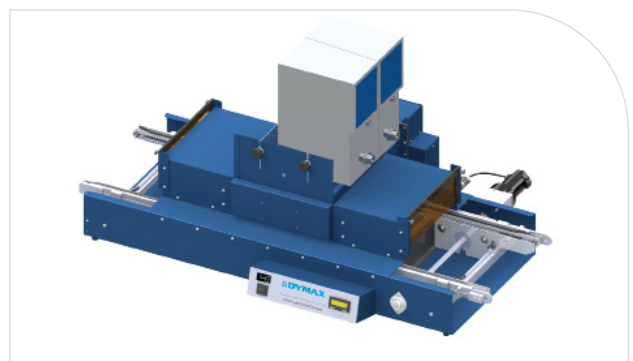
Four 5000-EC lamps
full-width mounted
12" wide double exposure

Fusion F300 Lamps

Fusion F300 lamps provide the highest intensity ($\sim 2,500 \text{ mW/cm}^2$) over a 1" x 6" curing area. These lamps require 208 to 240 Volts AC for operation. With normal use, Fusion F300 lamps retain 80% of their intensity up to 6,000 hours. Fusion F300 lamp systems are recommended where higher energy levels are necessary to cure coating, potting, and gasketing material applications and when higher process throughput is needed. Edge-Carry Series conveyors can be outfitted with one or two Fusion F300 lamps as shown in the diagrams below.



One center-mounted Fusion F300 for 6" wide exposure



Two Fusion F300 lamp systems for 12" wide exposure

Specifications

	5000-EC Lamps								2000/1200-EC Lamps		Fusion F300 Lamps		
	EC-D5-1-120	EC-D5-1-230	EC-D5-2A-120	EC-D5-2A-230	EC-D5-2B-120	EC-D5-2B-230	EC-D5-4-120	EC-D5-4-230	EC-D1-1-120 EC-D1-1-230	EC-D2-1-120 EC-D2-1-230	EC-F-1-230	EC-F-2-230	
Part Number	40324	40328	40325	40329	40326	40275	40327	40331	40334 40335	40332 40333	40336	40280	
Maximum Chain Spacing	18"								18"		18"		
Number of Lamps	1*	2*		2		4		1*	1*	1*	2		
Lamp Orientation CM = center mounted FW = full width	CM				FW				CM	CM	CM	FW	
Width of Illuminated Area	6"				12"				9"	9"	6"	12"	
Maximum UVA Intensity (320-390 nm), mW/cm²	200								100	400	2,500		
Maximum UVA Energy (320-390 nm) @ 5 fpm (J/cm²)	1.25	2.50		1.25		2.50		0.1	0.4	2			
Shipping Weight with Crates (lbs.)	390	410				450		390	390	475	580		
Belt Speeds (feet per minute)	1-32 fpm								1-32 fpm		1-32 fpm		
Voltage (VAC)	115V	208-240V	115V	208-240V	115V	208-240V	115V	208-240V	115 or 208-240V			208-240V	
Amperage	9.6	4.8	176	8.8	176	8.8	33.6	16.8			16	32.6	
Conveyor Dimensions (L x H x W)	59" x 39.5" x 35" [^] [150 cm x 100 cm x 89 cm [^]]												
Replacement Bulbs													
Metal Halide (Standard) 38560	✓	✓	✓	✓	✓	✓	✓	✓	✓	✓			
Mercury 36970**	✓	✓	✓	✓	✓	✓	✓	✓	✓	✓			
Visible 36658	✓	✓	✓	✓	✓	✓	✓	✓	✓	✓			
"D" Bulb (Standard) 36399											✓	✓	
"H" Bulb 36441**											✓	✓	
"V" Bulb 38146											✓	✓	

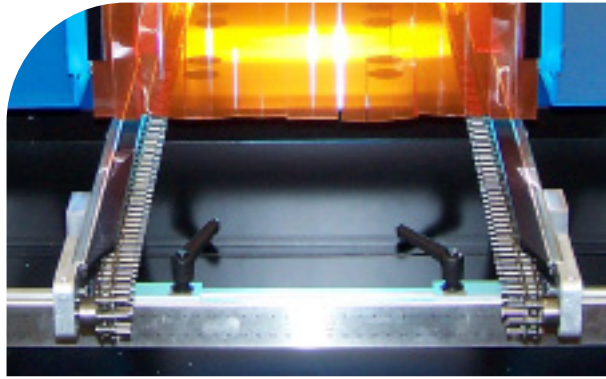
* These conveyors have center-mounted lamps and are supplied with removable guides to channel parts into middle 6" of conveyor.

** These bulbs are primarily designed for curing UV inks and cationic epoxies.

[^] Width from control panel to rear of blower

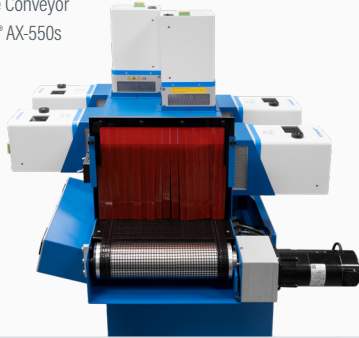
Replacement Parts & Accessories

Accessories		
Risers Kit 2"	Pair	39218
Risers Kit 6"	Pair	39280
ACCU-CAL™ 160 Radiometer	1	41590
EIT PowerPuck II Radiometer	1	38129
Replacement Parts		
Acrylic Tunnel Shield	1	39205
Tunnel Light Curtain	1	39207
5000-EC	1	39241
2000-EC	1	38105
1200-EC	1	38110
F300 Fusion Lamp and Power Supply	1	36402

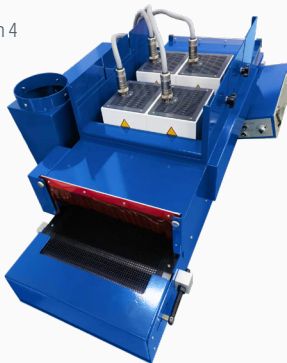


The chain rail width on the Edge-Carry conveyor is easily adjusted to accommodate various parts widths.

Custom SideCure Conveyor
with 6 BlueWave® AX-550s



Custom UVCS V2.0 with 4
BlueWave® FX-1250s



Custom Conveyor Systems

Dymax understands customers may have unique requirements for their UV curing needs. For applications that require features beyond standard conveyor system offerings, Dymax offers customized conveyor systems tailored specifically to the needs of customers.

For additional information, please contact Dymax Equipment Services at equipmentservices@dymax.com