



# UVCS AX Conveyor Exhaust Duct

## Quick Start Instructions

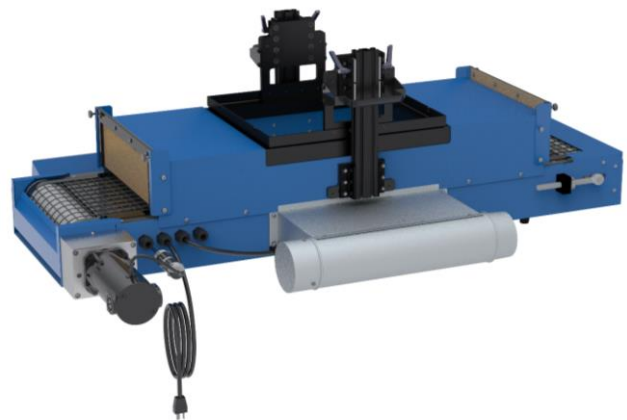
The exhaust duct is for connecting to existing 4" (house) exhaust. The cap is removable for the option of utilizing either side of the exhaust duct.

### Tools Needed:

- 2 Phillips Head Screw Driver
- 1/4" hex driver
- Safety Glasses

**IMPORTANT!** Safety glasses must be worn at all times during this assembly.

**Figure 1.**  
Exhaust Duct, UVCS AX Conveyor

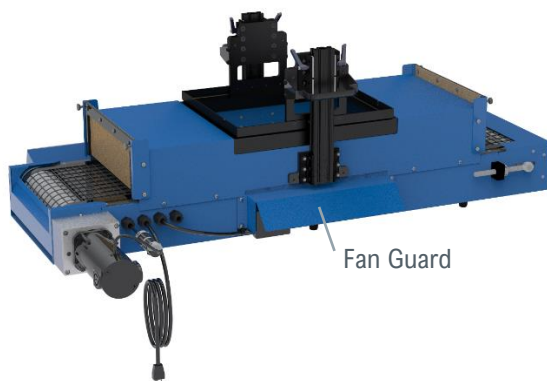


## UVCS AX Conveyor Exhaust Duct Installation

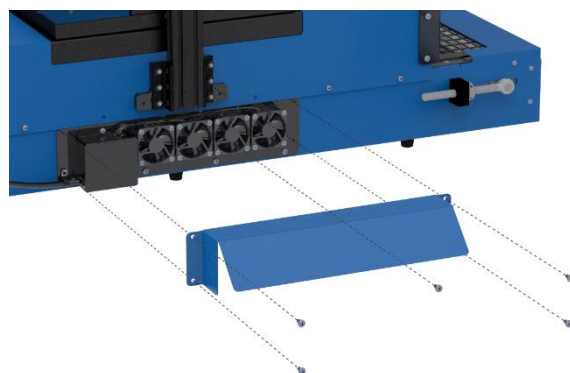
### Removal of the UVCS AX Conveyor Fan Guard

1. Verify that the Conveyor's Main Power Switch is turned off and then unplug the Power Cord from the wall outlet.
2. Remove the Fan Guard by removing 5 - M5 x 8-mm screws (Figure 3). Set aside for later use.

**Figure 2.**  
Remove Fan Guard



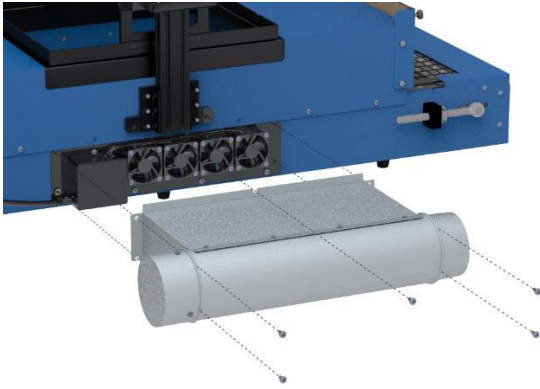
**Figure 3.**  
Remove M5 x 8mm SHCS Screws



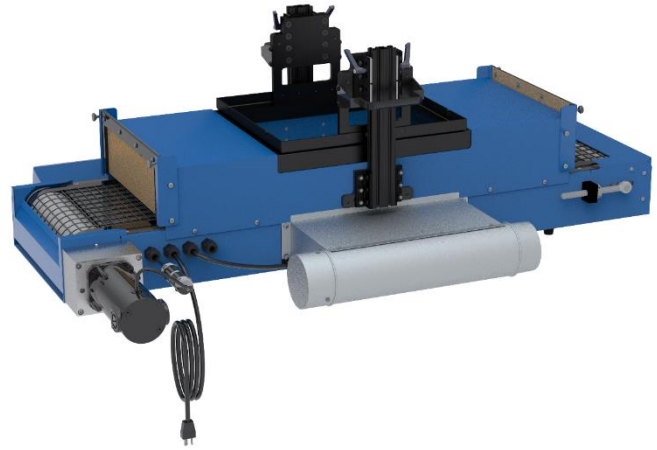
### Installation of the UVCS AX Conveyor Exhaust Duct

Using the same holes as those for the fan guard, line up the duct and reinstall the screws (Figure 4). Note the orientation with notched top flange facing up.

**Figure 4.**  
Reinsert M5 x 8-mm Screws to Hold Duct



**Figure 5.**  
Duct Shown Installed

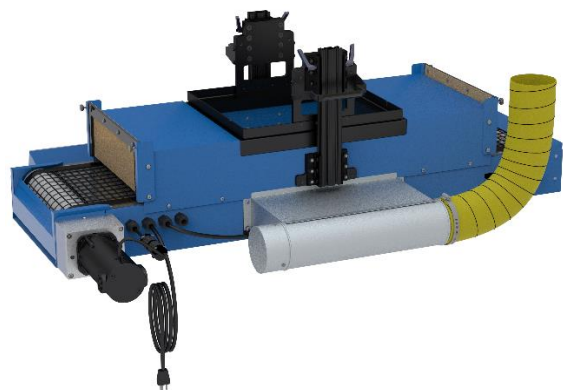
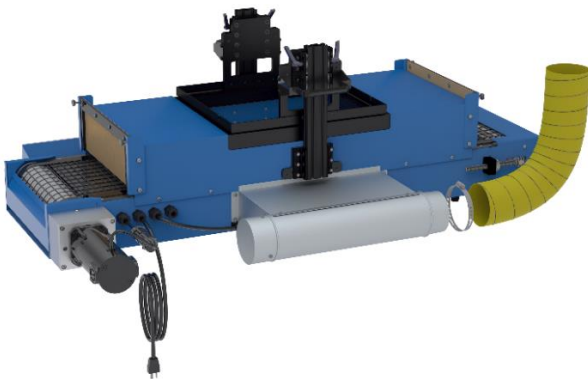


---

### Connecting to UVCS AX Conveyor Exhaust Duct

The UVCS AX Conveyor Exhaust Duct is a 4" round duct. Any 4" round exhaust can be fastened to this (Figure 6).

**Figure 6.**  
Example of 4" Round Duct Being Attached



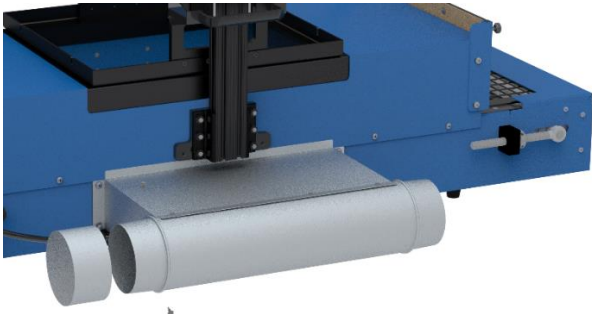
### Switching Exit Side of the UVCS AX Conveyor Exhaust Duct

The UVCS AX Conveyor Exhaust can be switched by removing 3 - 1/4" hex drive self-tapping screws (Figure 7).

Remove the cap and slide on opposite end. Reinsert self-tapping screws. Attach duct to open end (Figure 8).

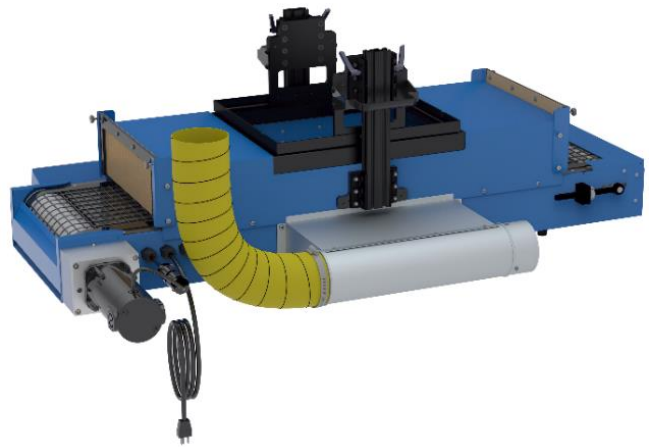
**Figure 7.**

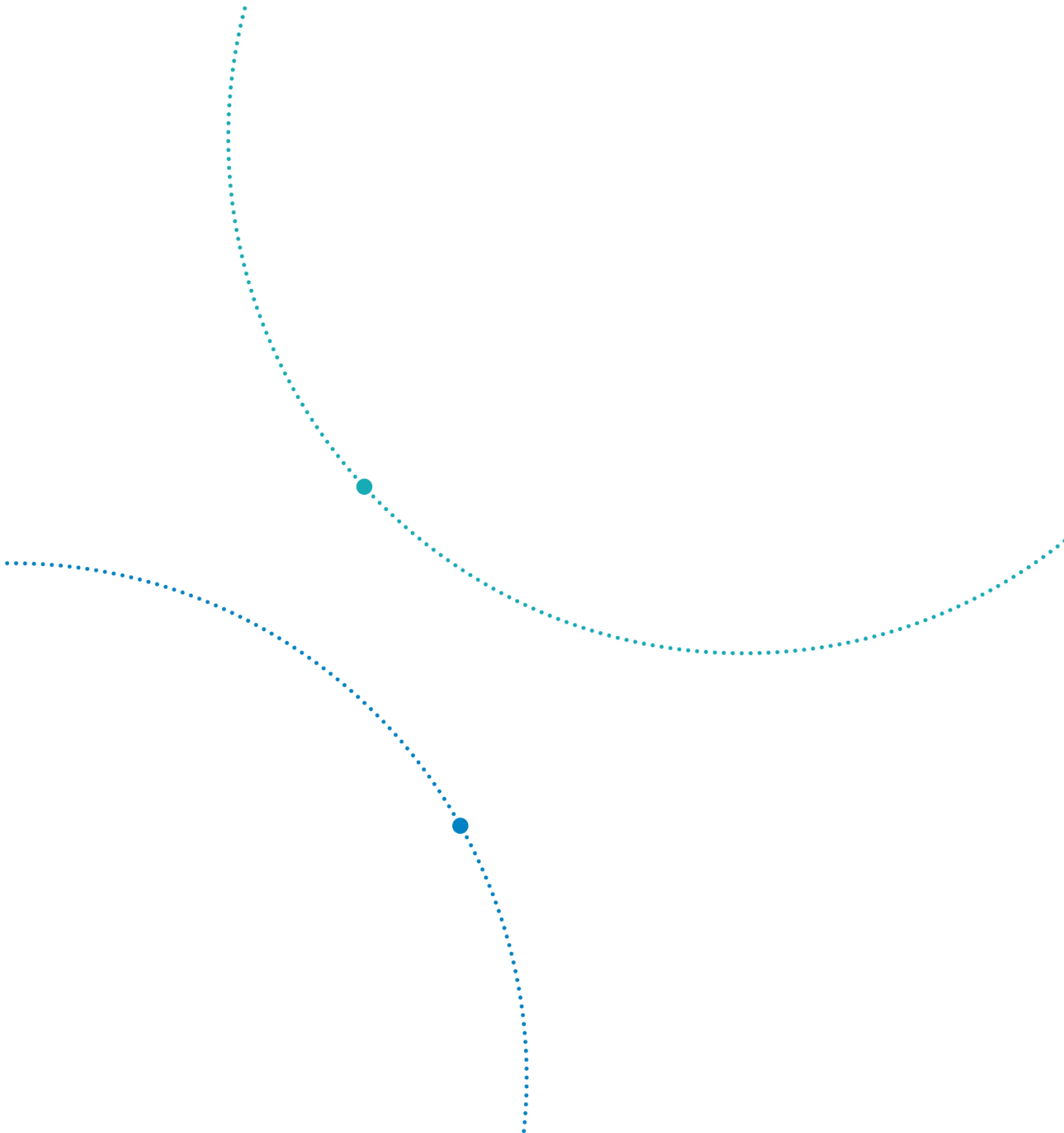
Removal of screws and cap



**Figure 8.**

Duct on opposite side





[www.dymax.com](http://www.dymax.com)

**Americas**

USA | +1.860.482.1010 | [info@dymax.com](mailto:info@dymax.com)

**Europe**

Germany | +49 611.962.7900 | [info\\_de@dymax.com](mailto:info_de@dymax.com)  
Ireland | +353 21.237.3016 | [info\\_ie@dymax.com](mailto:info_ie@dymax.com)

**Asia**

Singapore | +65.67522887 | [info\\_ap@dymax.com](mailto:info_ap@dymax.com)  
Shanghai | +86.21.37285759 | [dymaxasia@dymax.com](mailto:dymaxasia@dymax.com)  
Shenzhen | +86.755.83485759 | [dymaxasia@dymax.com](mailto:dymaxasia@dymax.com)  
Hong Kong | +852.2460.7038 | [dymaxasia@dymax.com](mailto:dymaxasia@dymax.com)  
Korea | +82.31.608.3434 | [info\\_kr@dymax.com](mailto:info_kr@dymax.com)

©2020-2021 Dymax Corporation. All rights reserved. All trademarks in this guide, except where noted, are the property of, or used under license by, Dymax Corporation, U.S.A.

Technical data provided is of a general nature and is based on laboratory test conditions. Dymax does not warrant the data contained in this bulletin. Any warranty applicable to the product, its application and use, is strictly limited to that contained in Dymax's standard Conditions of Sale. Dymax does not assume responsibility for test or performance results obtained by users. It is the user's responsibility to determine the suitability for the product application and purposes and the suitability for use in the user's intended manufacturing apparatus and methods. The user should adopt such precautions and use guidelines as may be reasonably advisable or necessary for the protection of property and persons. Nothing in this bulletin shall act as a representation that the product use or application will not infringe a patent owned by someone other than Dymax or act as a grant of license under any Dymax Corporation Patent. Dymax recommends that each user adequately test its proposed use and application before actual repetitive use, using the data contained in this bulletin as a general guide.

QS097 7/27/2021