



# UVCS Conveyor Motor Replacement Kit

## Quick Start Guide

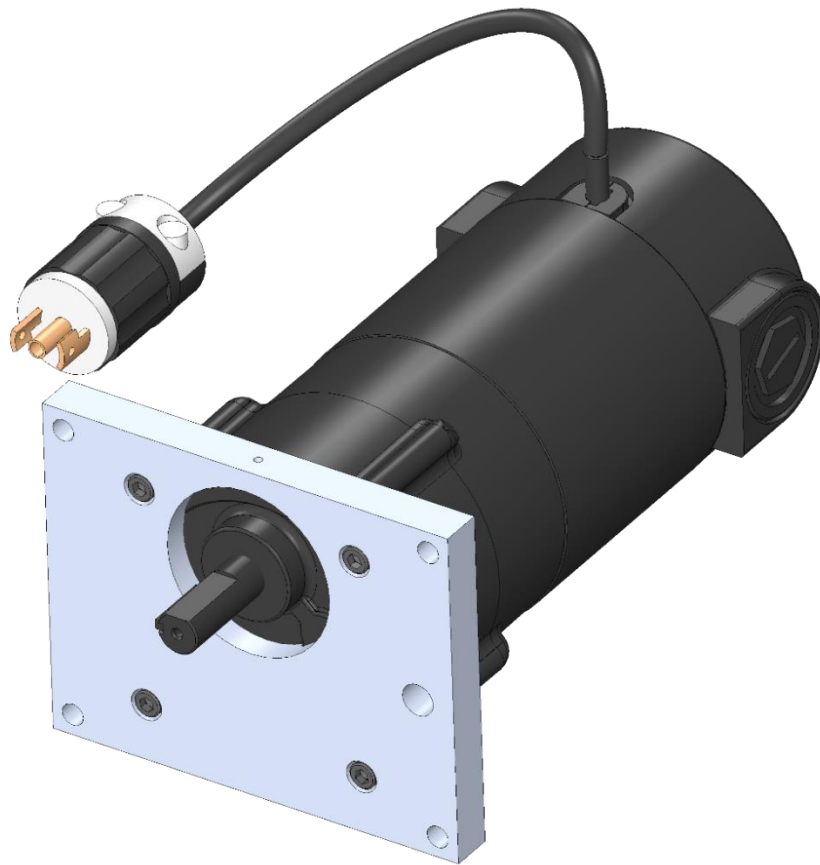


Figure 1. Motor Replacement Assy, UVCS – 43391

### Tools Needed:

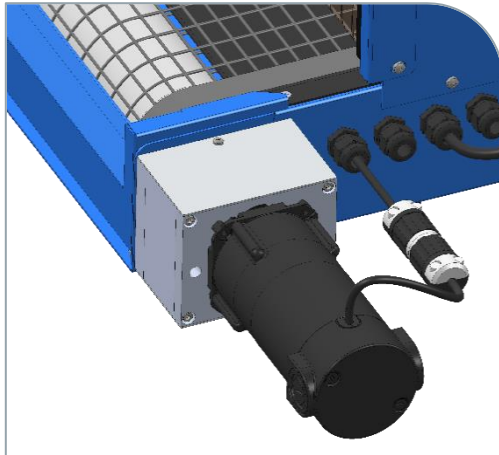
- #2 Philips Head Screw Driver
- Safety Glasses
- 1/8" Allen Wrench, 5/32" Allen Wrench, M5 Allen Wrench

**IMPORTANT!** Safety glasses must be worn at all times during this assembly.

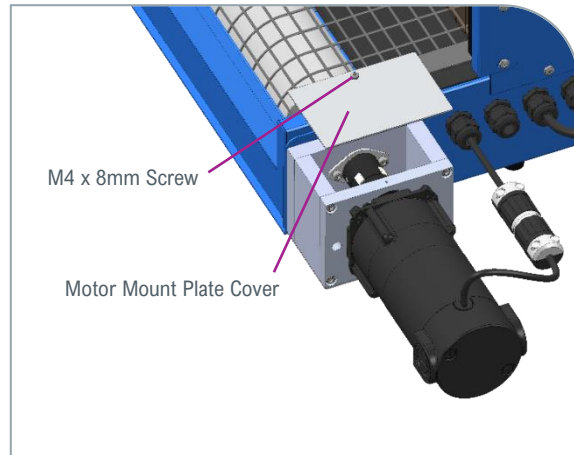
# UVCS Conveyor Motor Replacement Instructions

## Disassembly of the UVCS Conveyor Motor Assembly:

1. Verify that the Conveyor's Main Power Switch is turned off and then unplug the Power Cord from the wall outlet.
2. Remove the Motor Mount Cover Plate and M4 x 8mm screw (Figure 3). Set aside for later use.

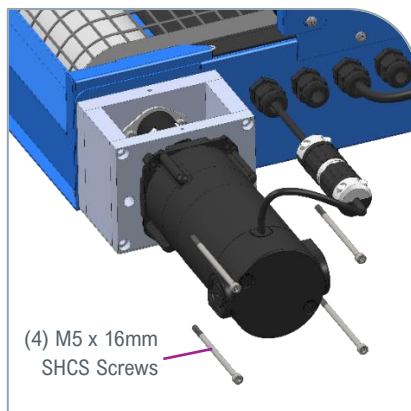


**Figure 2.** Conveyor Motor Assembly

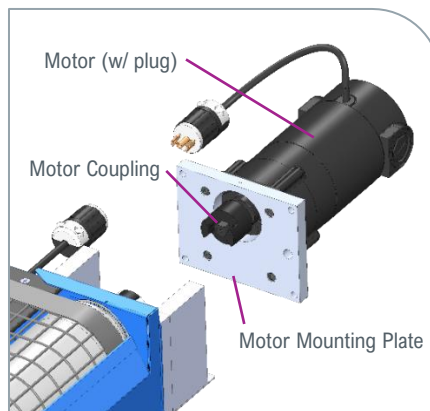


**Figure 3.** Remove Motor Mount Plate Cover

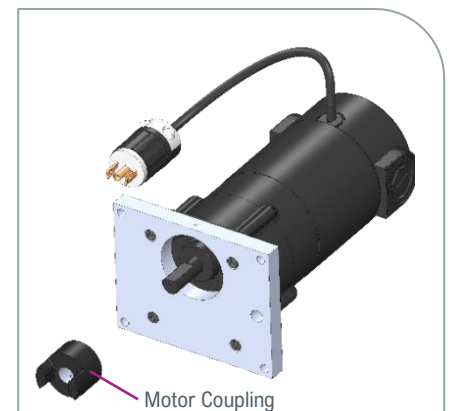
3. Loosen and remove the (4) M5 x 16 mm SHCS (Socket Head Cap Screw) screws holding the motor mounting plate to the conveyor (Figure 4). Use caution to ensure the motor does not fall off the conveyor when removing the screws.
4. Unplug the electrical plug and remove the Motor subassembly from the conveyor. This subassembly consists of the Motor (w/ plug), the Motor Mounting Plate, and the Motor Coupling (Figure 5).
5. Loosen 1/4-20 x 1/2" set screw from Motor Coupling, and slide Motor Coupling off motor shaft (Figure 6). Set aside for later use.
6. Discard old Motor and Motor Mounting Plate assembly.
7. Disassembly of the Motor from the UVCS Conveyor is now complete.



**Figure 4.** Remove M5 x 16mm SHCS Screws



**Figure 5.** Remove the Motor Subassembly from the Conveyor



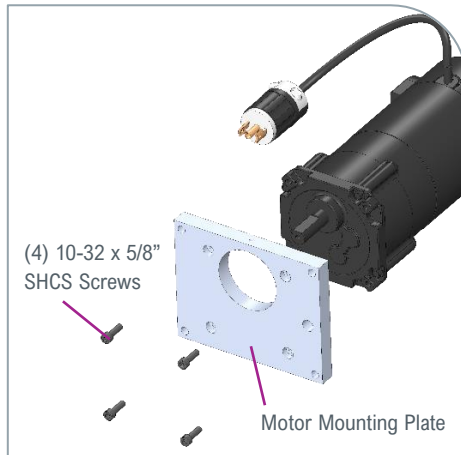
**Figure 6.** Remove Motor Coupling

## Installation of Replacement Motor Assembly for UVCS Conveyor

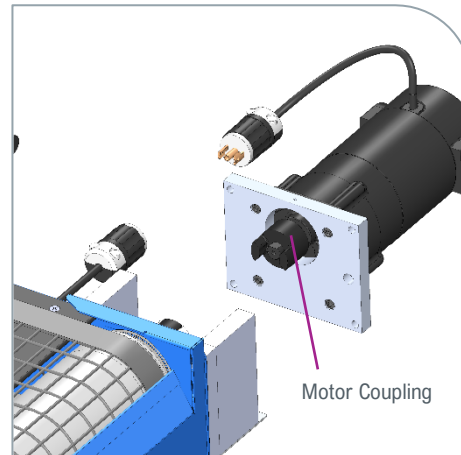
1. Remove contents of Dymax 43391 – Motor Replacement Assy, UVCS, and prepare the components for installation.
2. Install new Motor Mounting Plate by installing and tightening (4) 10-32 x 5/8" SHCS screws to new Motor (Figure 8).

*NOTE: tighten screws to 30 in-lbs.*

3. Slide Motor Coupling onto the Motor shaft, but do not tighten the 1/4-20 x 1/2" set screw (Figure 9).

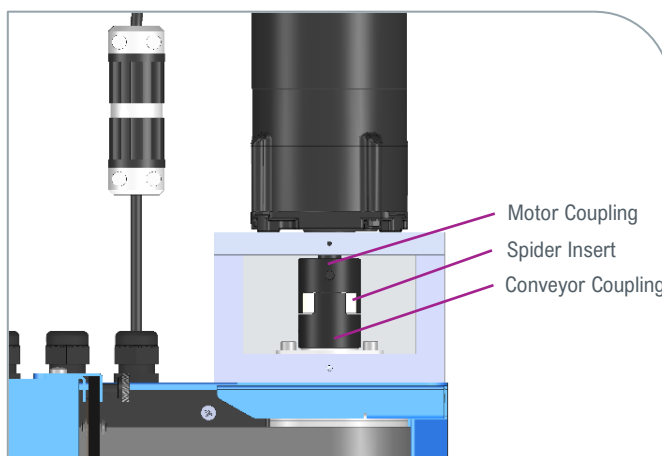


**Figure 8.** Install Motor Mount and (4) 10-32 x 5/8" Screws

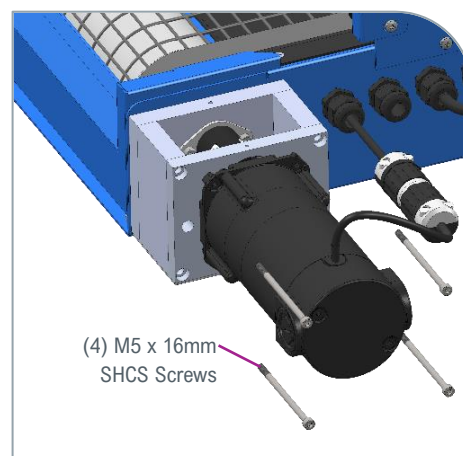


**Figure 9.** Slide Motor Coupling Over Motor Shaft

4. Align the Motor subassembly to the conveyor by aligning the coupling on the Motor shaft to the spider insert of the Conveyor coupling (Figure 10). Spin the Conveyor roller to align the coupling jaws if needed.
5. Install the Motor subassembly to the conveyor using the (4) M5 x 16mm SHCS screws (Figure 11).
6. Plug Motor into the female plug on Conveyor.
7. Push the coupling on the Motor shaft in tight to the spider insert of the coupling. Tighten the 1/4-20 x 1/2" set screw to lock the position of the coupling (Figure 10).



**Figure 10.** Install Motor Subassembly and Motor Coupling



**Figure 11.** Install M5 x 16mm SHCS Screws

8. Install the Motor Mount Plate Cover and M4 x 8mm screw (Figure 12).

9. Installation of new motor is now complete. Plug conveyor back into wall outlet and test the motor function.

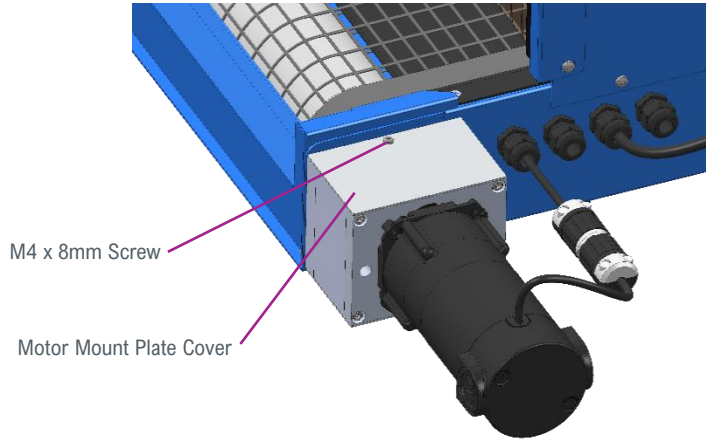


Figure 12. Install Motor Mount Plate Cover

[www.dymax.com](http://www.dymax.com)

**Americas**

USA | +1.860.482.1010 | [info@dymax.com](mailto:info@dymax.com)

**Europe**

Germany | +49 611.962.7900 | [info\\_de@dymax.com](mailto:info_de@dymax.com)  
Ireland | +353 21.237.3016 | [info\\_ie@dymax.com](mailto:info_ie@dymax.com)

**Asia**

Singapore | +65.67522887 | [info\\_ap@dymax.com](mailto:info_ap@dymax.com)  
Shanghai | +86.21.37285759 | [dymaxasia@dymax.com](mailto:dymaxasia@dymax.com)  
Shenzhen | +86.755.83485759 | [dymaxasia@dymax.com](mailto:dymaxasia@dymax.com)  
Hong Kong | +852.2460.7038 | [dymaxasia@dymax.com](mailto:dymaxasia@dymax.com)  
Korea | +82.31.608.3434 | [info\\_kr@dymax.com](mailto:info_kr@dymax.com)

© 2021 Dymax Corporation. All rights reserved. All trademarks in this guide, except where noted, are the property of, or used under license by Dymax Corporation, U.S.A.

The data contained in this bulletin is of a general nature and is based on laboratory test conditions. Dymax does not warrant the data contained in this bulletin. Any warranty applicable to the product, its application and use is strictly limited to that contained in Dymax's standard Conditions of Sale. Dymax does not assume responsibility for test or performance results obtained by users. It is the user's responsibility to determine the suitability for the product application and purposes and the suitability for use in the user's intended manufacturing apparatus and methods. The user should adopt such precautions and use guidelines as may be reasonably advisable or necessary for the protection of property and persons.

Nothing in this bulletin shall act as a representation that the product use or application will not infringe a patent owned by someone other than Dymax or act as a grant of license under any Dymax Corporation Patent. Dymax recommends that each user adequately test its proposed use and application before actual repetitive use, using the data contained in this bulletin as a general guide. QS092 11/17/2021